

ADDENDUM NO. 2

DATE: October 12, 2011

PROJECT: The Village of Aberdeen New Wells

PROJECT NUMBER: 11-021

OWNER: The Village of Aberdeen

ENGINEER: Bell Engineering Limited, Inc.
05691 State Route 15
Bryan, Ohio 43506

TO: Prospective Bidders

This Addendum forms a part of the Contract Documents and modifies the Bidding Documents.

***Acknowledge receipt of this Addendum in the space provided in the Bid Form.
Failure to do so may disqualify the Bidder.***

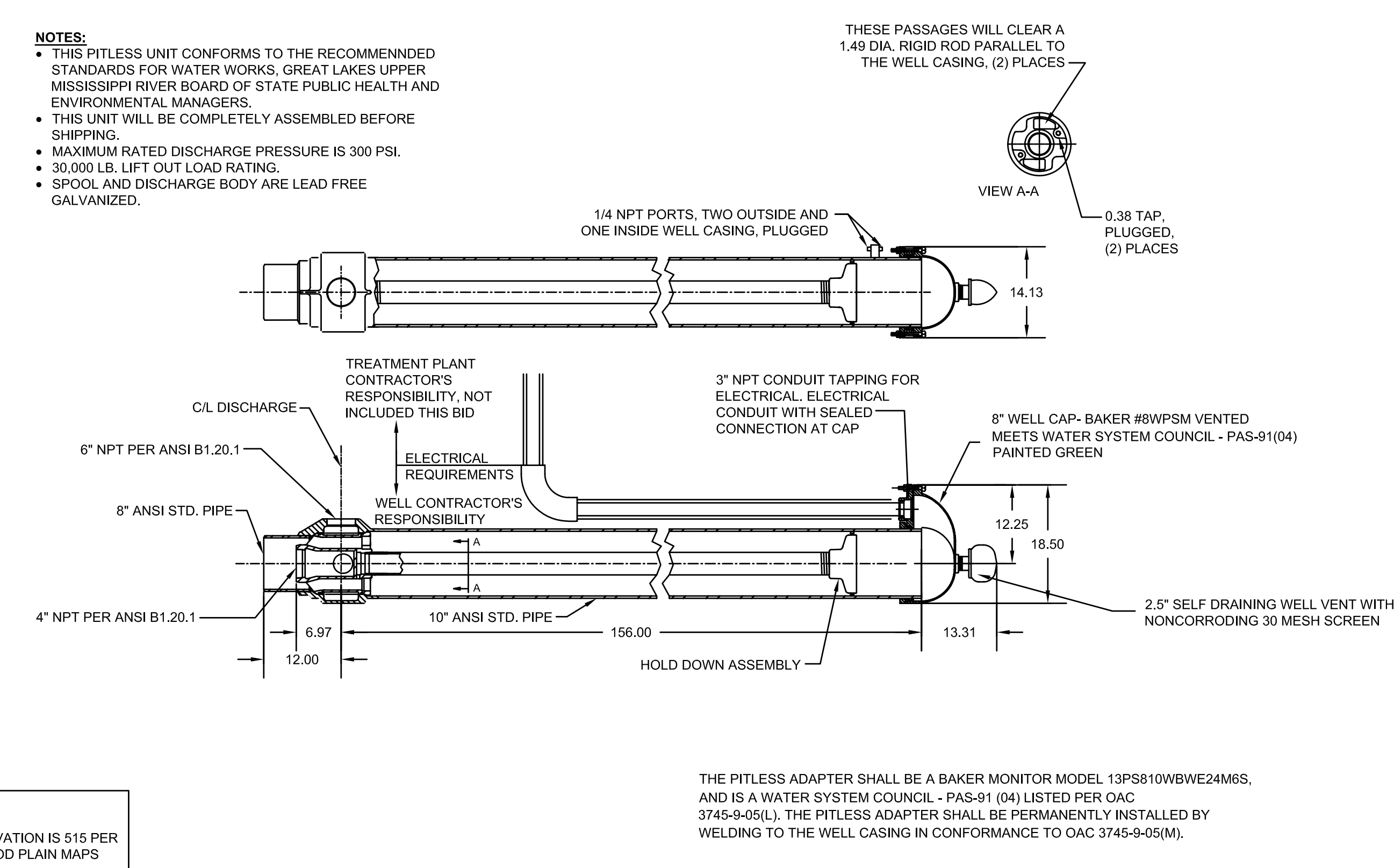
The following items shall become a part of the contract documents for this project.

1. **Completion Date** – The completion date for the first well is 45 days after the notice to proceed is given. The completion date for the second well will be extended to 45 days after the Contractor is given the authorization to proceed with Well #2.
2. **Pump Model Number** – The well pump model number has been revised to American Marsh Model No. S6-300-03-150. This has been changed on sheet W1.1 and re-issued with this addendum.

END OF ADDENDUM NUMBER 2

NOTES:

- THIS PITLESS UNIT CONFORMS TO THE RECOMMENDED STANDARDS FOR WATER WORKS, GREAT LAKES UPPER MISSISSIPPI RIVER BOARD OF STATE PUBLIC HEALTH AND ENVIRONMENTAL MANAGERS.
- THIS UNIT WILL BE COMPLETELY ASSEMBLED BEFORE SHIPPING.
- MAXIMUM RATED DISCHARGE PRESSURE IS 300 PSI.
- 30,000 LB. LIFT OUT LOAD RATING.
- SPOOL AND DISCHARGE BODY ARE LEAD FREE GALVANIZED.



NOTE:
100 YEAR FLOOD ELEVATION IS 515 PER BROWN COUNTY FLOOD PLAIN MAPS

1 PITLESS ADAPTER DETAIL
NTS W1.1

FILTER PACK NOTES:

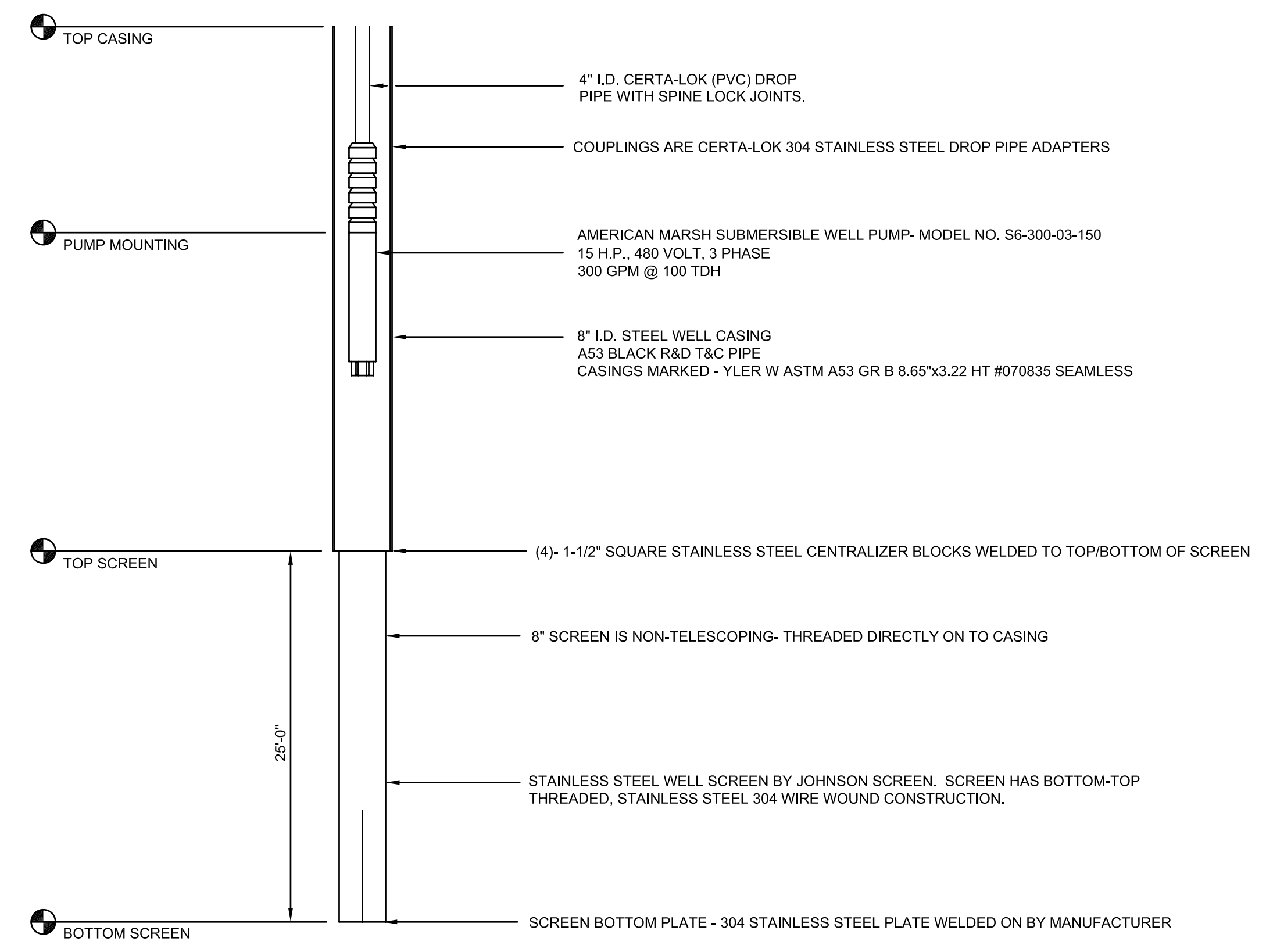
- THE GRAVEL PACK IS TO BE PLACED TO A LEVEL OF 5 FEET TO 10 FEET ABOVE THE TOP OF THE WELL SCREEN.
- THE GRAVEL PACK DESIGN IS BASED ON SIEVE ANALYSIS OF THE FORMATION THAT WAS COLLECTED DURING THE DRILLING OF A TEST WELL.

GROUTING NOTES:

- BAROID BENSEAL GROUT WILL BE USED TO GROUT THE ANNULUS ABOVE THE WELL SCREEN. BENSEAL IS A HIGH SOLIDS BENTONITE WITH NST APPROVAL.
- GROUT MIX - (1) 50 POUND SACK OF BENSEAL TO 22 GALLONS OF WATER TO CREATE >20% SOLIDS. ADD EX-MUD POLYMER PRODUCT MADE BY BAROID TO GROUT. EZ-MUD IS NSF RATED.
- PRESSURE GROUTING WITH THE TREMMIE METHOD. THE GROUT WAS MIXED AND CONTINUOUSLY PUMPED THROUGH A TREMMIE PIPE UNTIL IT SHOWED AT GROUND SURFACE.

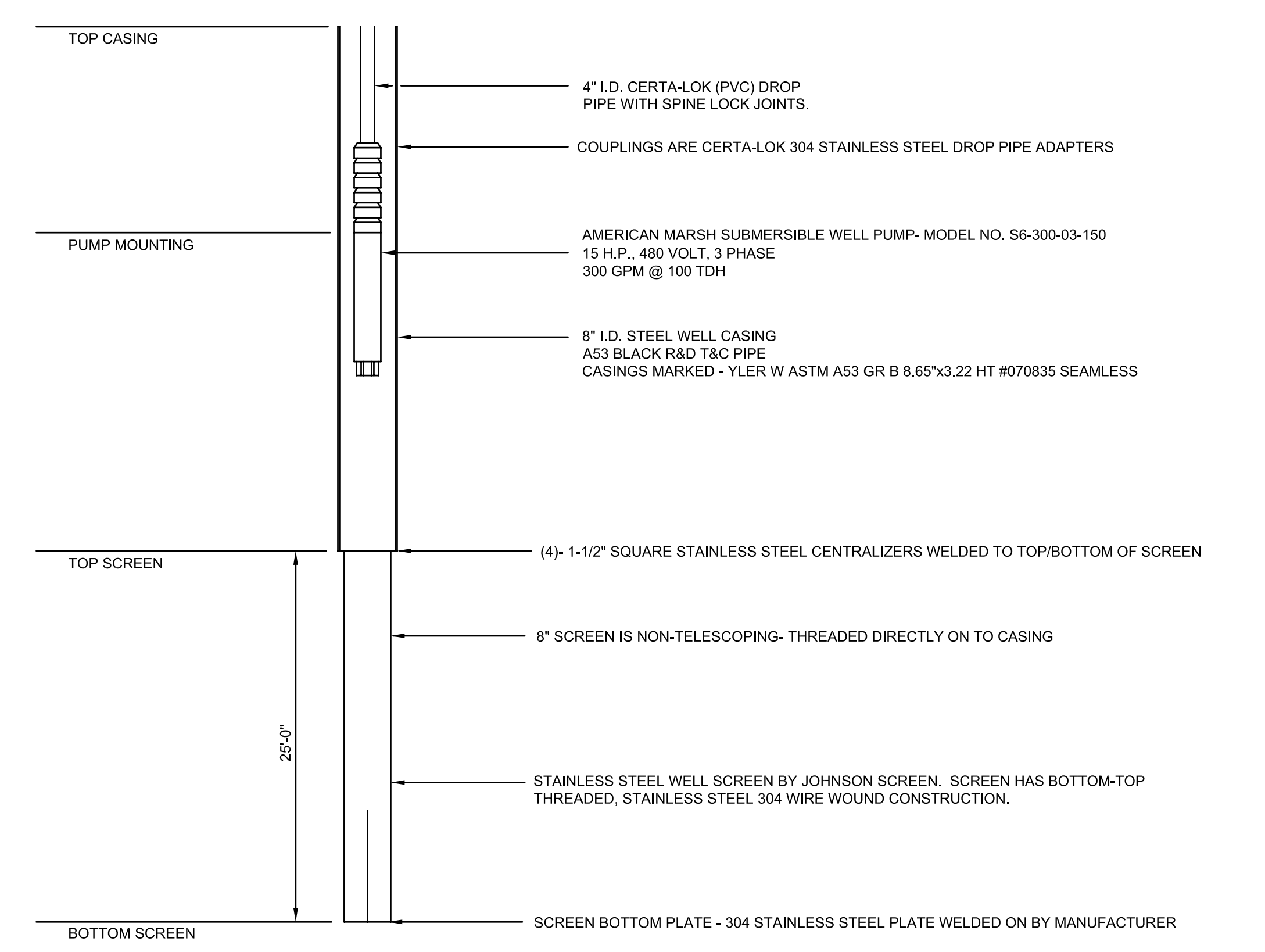
WELL ANALYSIS RESULTS:

- ALL REQUIRED ANALYSES FOR WELLS SHALL BE COMPLETED PER ITEM 11225.



NOTE:
NO SHALE BASKET OR PACKER WAS USED AS IT WOULD PREVENT PROPER PLACEMENT OF SAND

WELL 1 SECTION
SCALE : NTS



NOTE:
NO SHALE BASKET OR PACKER WAS USED AS IT WOULD PREVENT PROPER PLACEMENT OF SAND

WELL 2 SECTION
SCALE : NTS